

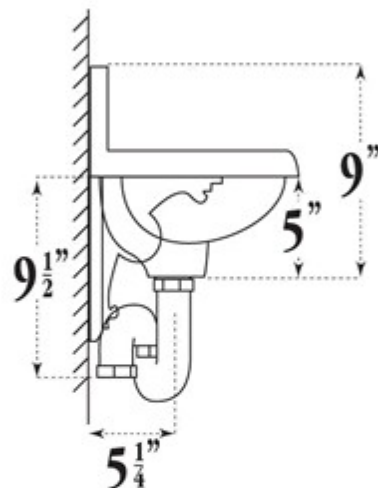
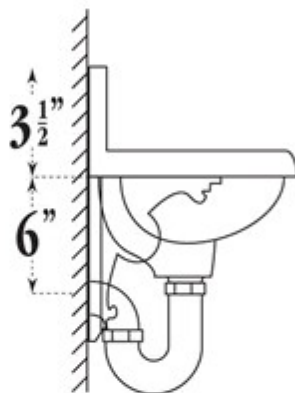
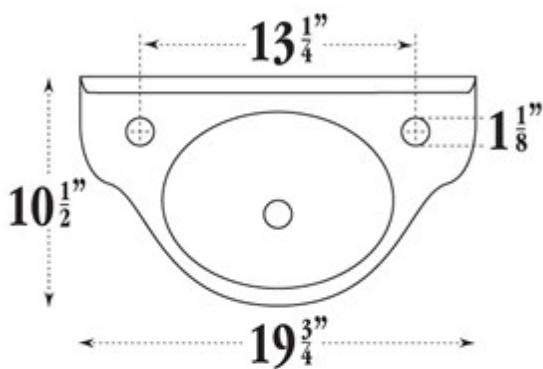


THOMAS CRAPPER & COMPANY.

APPROXIMATE DIMENSIONS

March '09

Cloakroom Basin.



Tap hole size for all basins $1\frac{1}{8}$ " diameter. Waste hole size for all basins $1\frac{1}{8}$ " diameter.

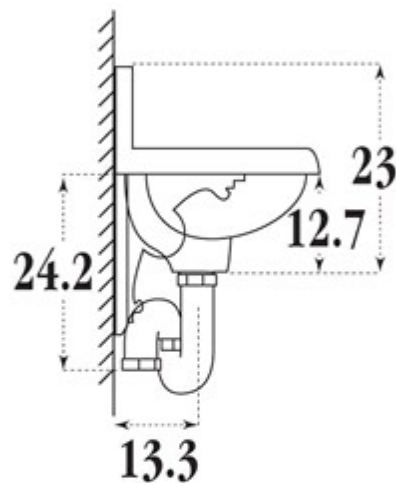
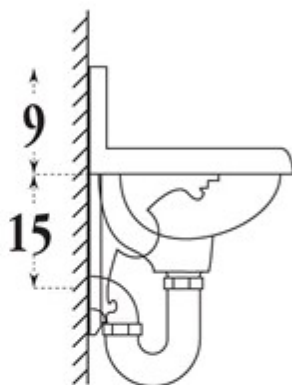
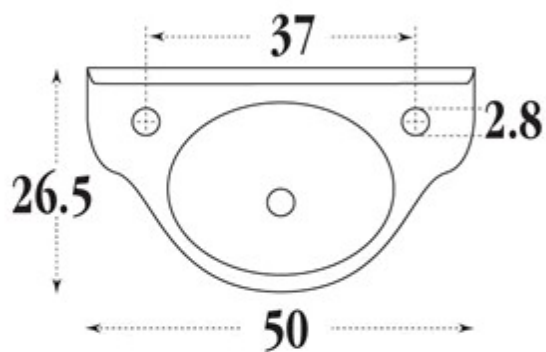


THOMAS CRAPPER & COMPANY.
METRIC MEASUREMENTS, FOR CUSTOMERS OVERSEAS.
IN CENTIMETRES.

APPROXIMATE DIMENSIONS

March '09

Cloakroom Basin.



Tap hole size for all basins 3.2 diameter. Waste hole size for all basins 4.4 diameter.