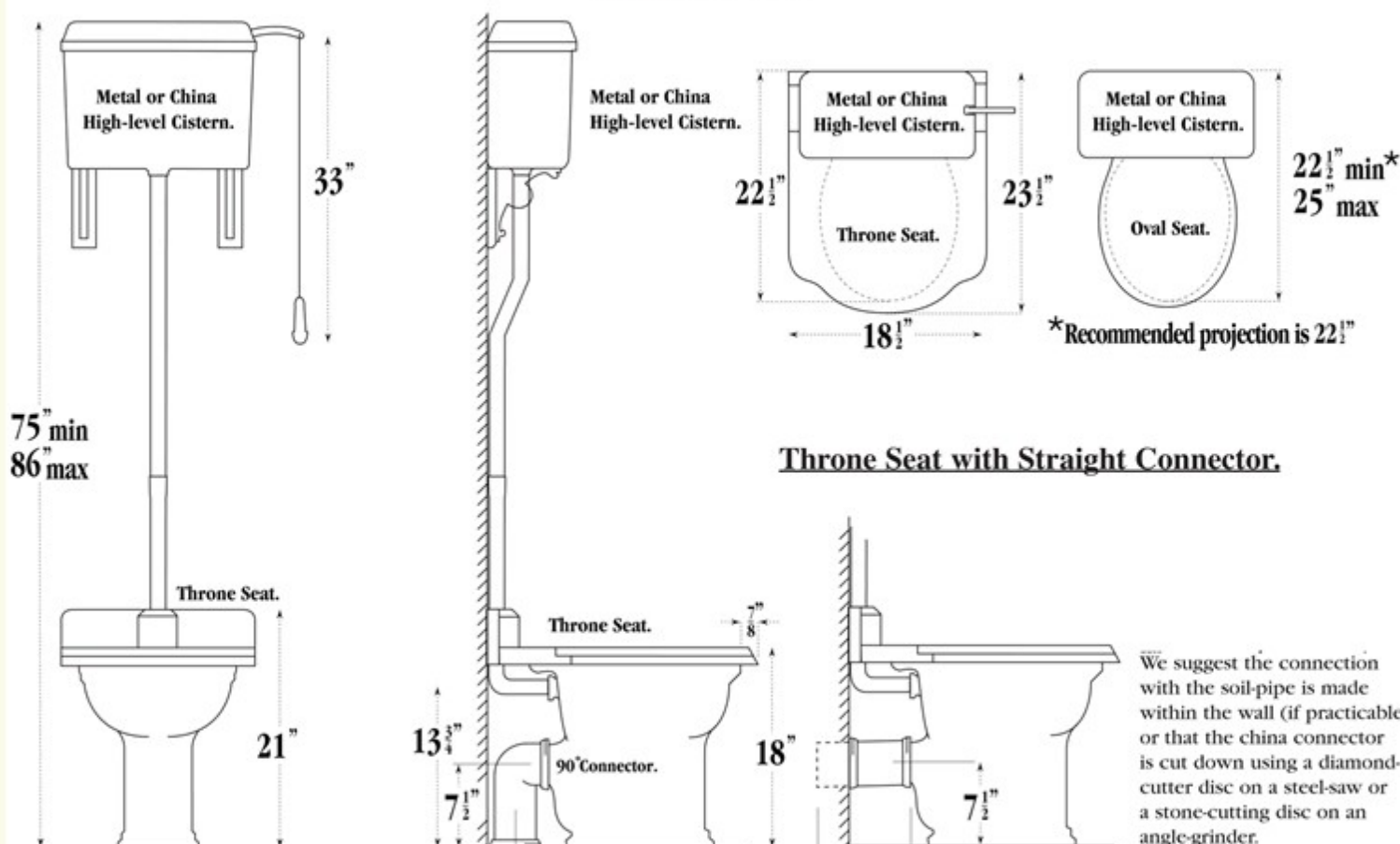
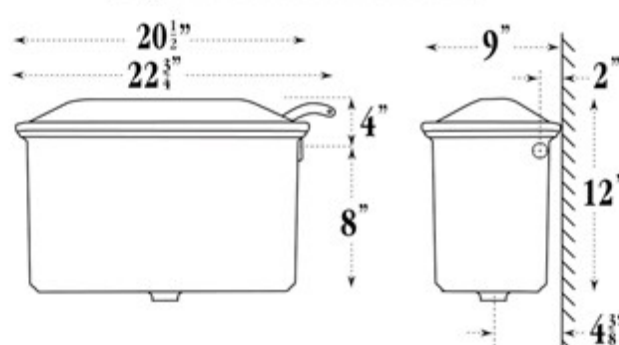




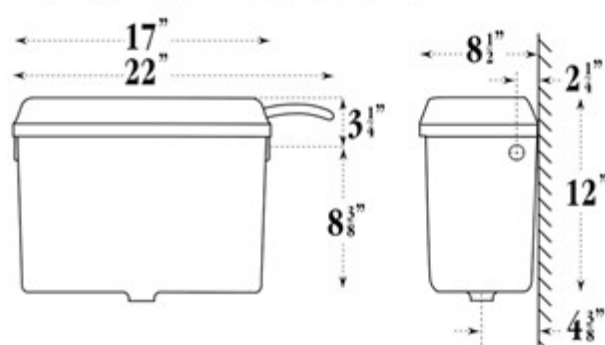
High-level W.C.



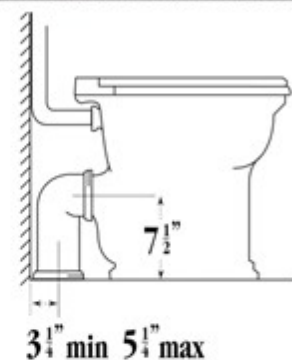
High-level China Cistern.



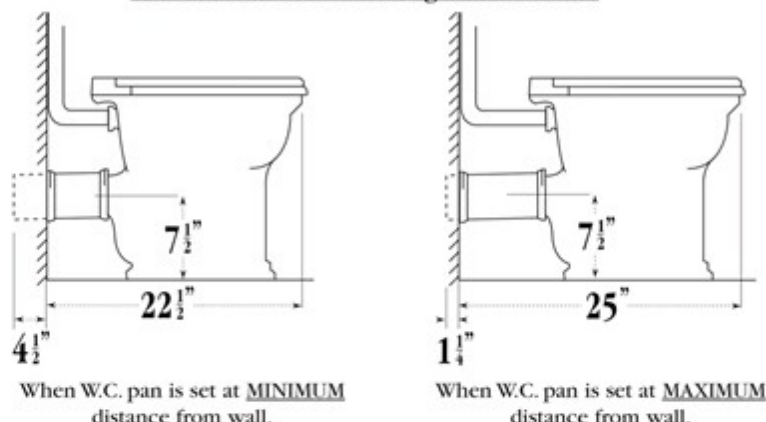
High-level Metal Cistern.



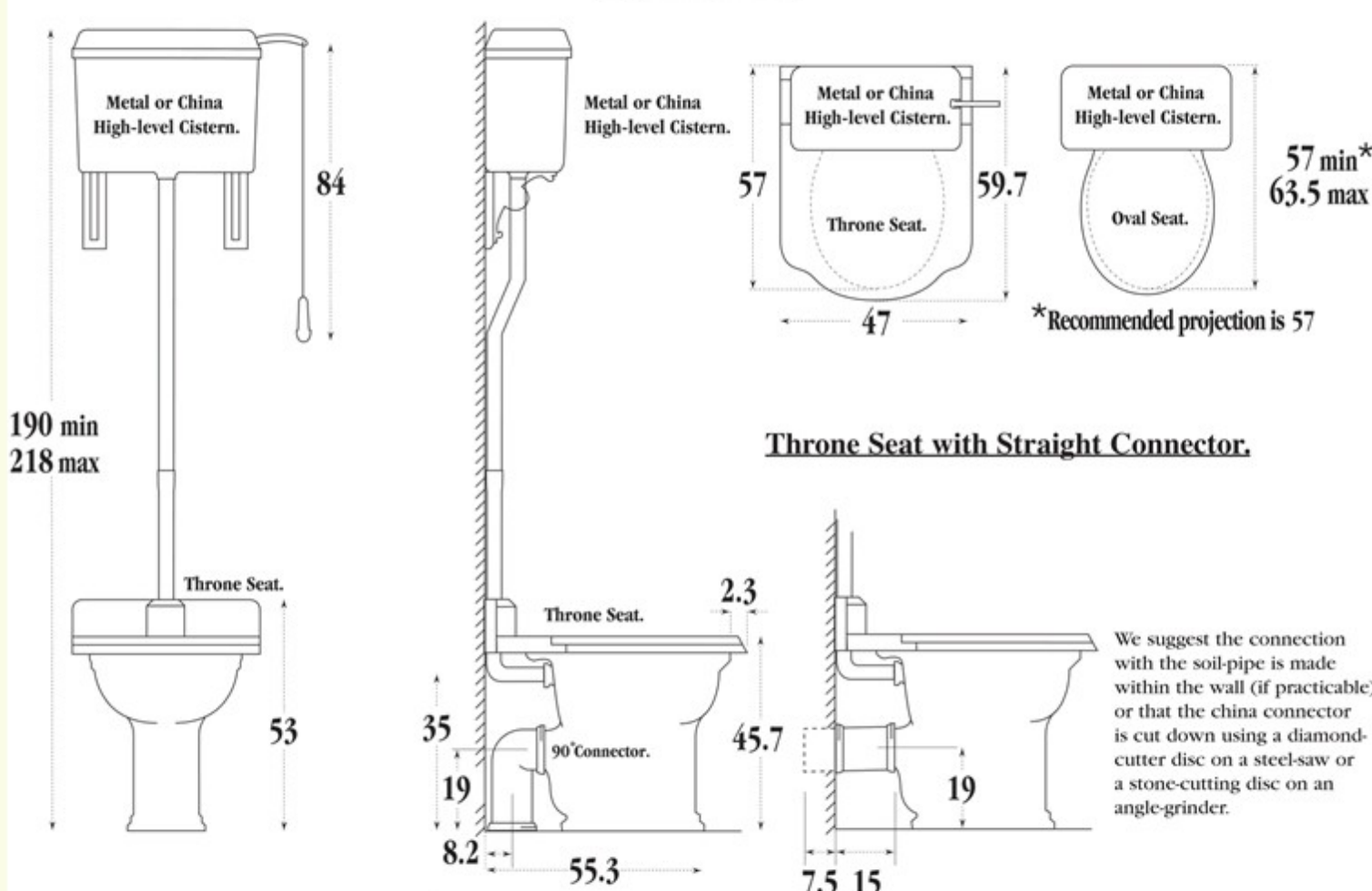
High-level W.C. with Oval Seat and 90° Connector.



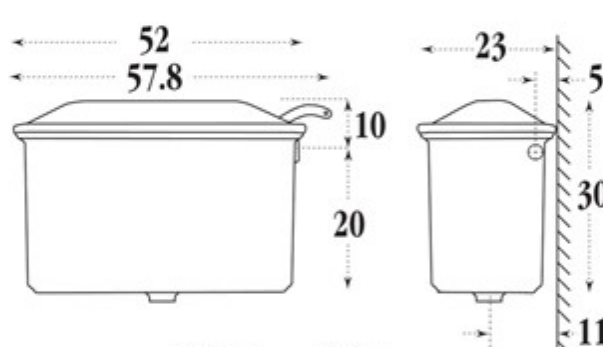
High-level W.C. with Oval Seat and Straight Connector.



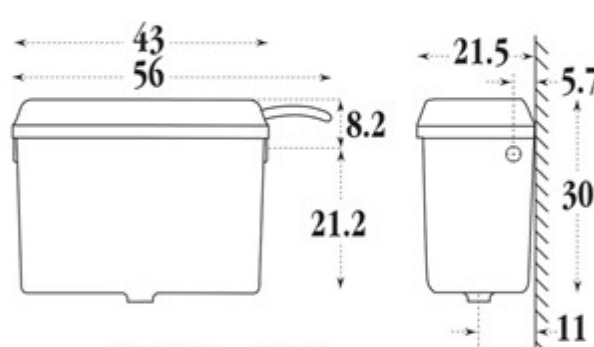
High-level W.C.



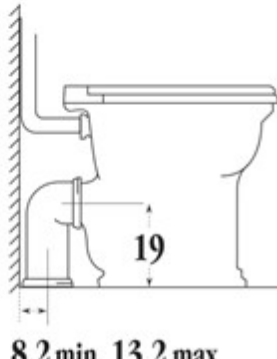
High-level china Cistern.



High-level metal Cistern.



High-level W.C. with Oval Seat and 90° Connector.



High-level W.C. with Oval Seat and Straight Connector.

