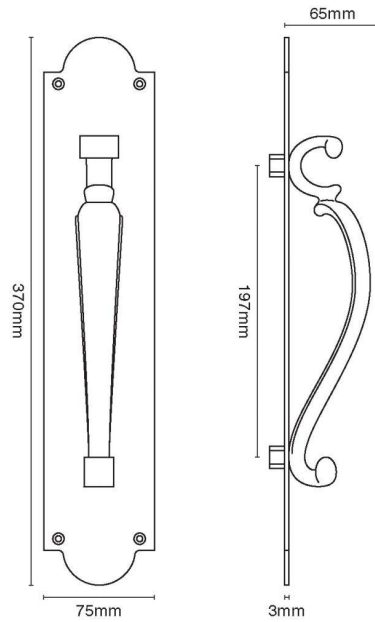


CROFT

Long Lasting Tradition

SPECIFICATION SHEET - PRODUCT CODE **4125**

PRODUCT



Doctor's Pull Handle On Plate 4125

Please note that illustration sizes are approximations

Finishes:



PB PBUL AB AGD AN



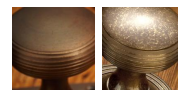
CP DAB DAN DORB IBMA



ORB PN PRL SB SBUL



SCP SNP PG PGUL RBMA



TB MB